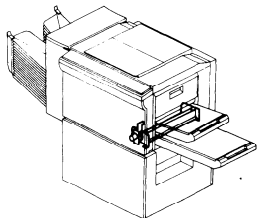


**PS 220**

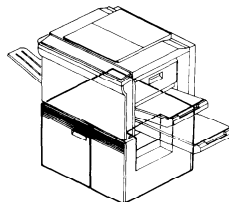
**(A420)**

<b>Location of Unit</b> . . . . .	<b>3</b>
<b>1. Vertical Transport (A420)</b> . . . . .	<b>4</b>
<b>2. Exterior (A420)</b> . . . . .	<b>6</b>
<b>3. Paper Feed Section (A420)</b> . . . . .	<b>8</b>
<b>4. 3rd Paper Feed Section (A420)</b> . . . . .	<b>10</b>
<b>5. 4th Paper Feed Section (A420)</b> . . . . .	<b>12</b>
<b>6. Print Board – Paper Bank (A420)</b> . . . . .	<b>14</b>
<b>7. Harness Layout (A420)</b> . . . . .	<b>16</b>
<b>8. Vertical Transport Harness (A420)</b> . . . . .	<b>18</b>
<b>9. Front Paper Bank Harness (A420)</b> . . . . .	<b>20</b>
<b>10. Main Paper Bank Harness (A420)</b> . . . . .	<b>22</b>
<b>11. Rear Paper Bank Harness (A420)</b> . . . . .	<b>24</b>
<b>12. Decal (A420)</b> . . . . .	<b>26</b>
<b>Parts Index</b> . . . . .	<b>29</b>

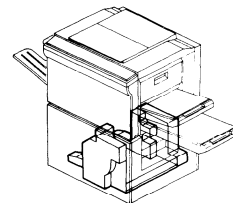
1. VERTICAL TRANSPORT



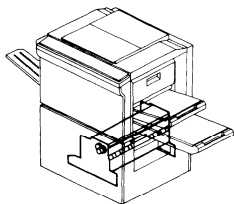
2. EXTERIOR



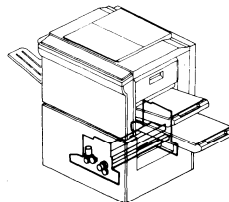
3. PAPER FEED SECTION



4. 3RD PAPER FEED SECTION

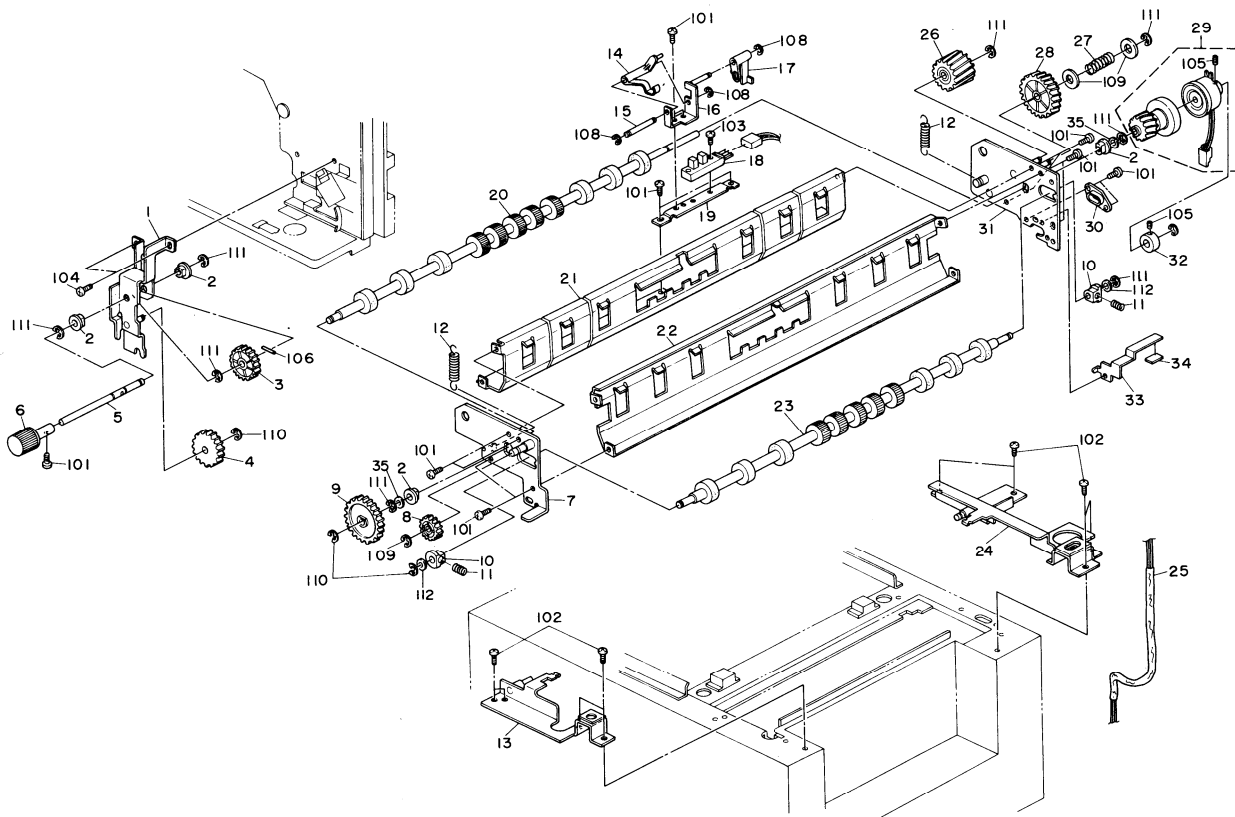


5. 4TH PAPER FEED SECTION



# 1. VERTICAL TRANSPORT (A420)

August 31, '89



# 1. VERTICAL TRANSPORT (A420)

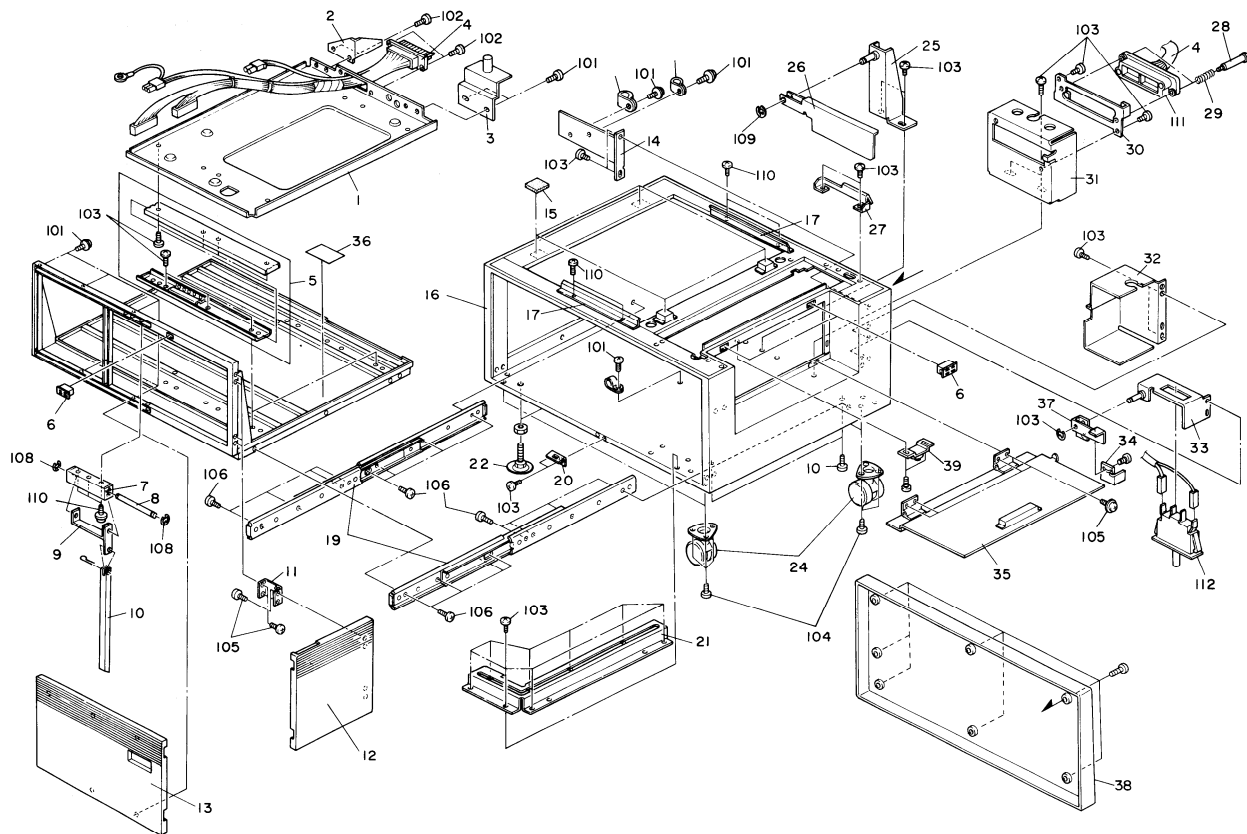
August 31, '89

Index No.	Part No.	Description	Q'ty Per Assembly
1	A420 4110	Transport Knob Bracket	1
2	0805 3039	Ball Bearing - 8x16x5mm	2
3	A420 4113	Gear - 26T	1
4	A420 4116	Gear - 30T	1
5	A420 4114	Knob Shaft	1
6	A420 4115	Transport Roller Knob	1
7	A420 2709	Front Side Fence - Transport	1
8	A420 2785	Gear - 18T	1
9	A420 2761	Gear - 38T	1
10	A420 2378	Bushing	2
11	5205 2693	Relay Roller Spring	2
12	A420 2762	Transport Bracket Spring	2
13	A420 2770	Front Transport Bracket	1
14	A420 2741	Paper Sensor Feeler	1
15	A420 2742	Feeler Shaft - Paper Sensor	1
16	A420 2735	Feeler Bracket	1
17	A420 2743	Upper Shutter - Paper Sensor	1
18	5205 5251	LED Sensor Type - T	1
19	A420 2732	Transport Sensor Bracket	1
20	A420 2755	Upper Drive Relay Roller	1
21	A420 2733	Left Guide Plate - Transport	1
22	A420 2752	Right Guide Plate - Transport	1
23	A420 2756	Upper Relay Roller	1
24	A420 2780	Rear Transport Bracket	1
25	A420 5273	Vertical Transport Harness	1
26	AB01 3097	Gear - 20T	1
27	A420 2767	Idle Gear Spring	1
28	AB01 3094	Idle Gear - 36T	1
29	AX20 0016	Magnetic Clutch - Vertical Transport	1
30	A420 2726	Rear Side Fence Cap - Transport	1
31	A420 2719	Rear Side Fence - Transport	1
32	5205 2866	Magnetic Clutch Collar	1
33	A420 2766	Magnetic Clutch Stopper	1
34	A420 2563	Rubber - Magnetic Clutch Stopper	1
35	AA13 2025	Spacer - 1x8x12mm	3

Index No.	Part No.	Description	Q'ty Per Assembly
101	0314 0060W	Philips Pan Head Screw - M4x6	
102	0314 0080W	Philips Pan Head Screw - M4x8	
103	0314 0120W	Philips Pan Head Screw - M4x12	
104	0434 0080W	Tapping Screw - M4x8	
105	0554 0040E	Allen Screw - M4x4	
106	0633 0140B	Parallel Pin	
107	0700 0080	Washer	
108	0720 0030E	Retaining Ring - M3	
109	0720 0040E	Retaining Ring - M4	
110	0720 0050E	Retaining Ring - M5	
111	0720 0060E	Retaining Ring - M6	
112	0807 4116	Spacer - M6	

## 2. EXTERIOR (A420)

August 31, '89



## 2. EXTERIOR (A420)

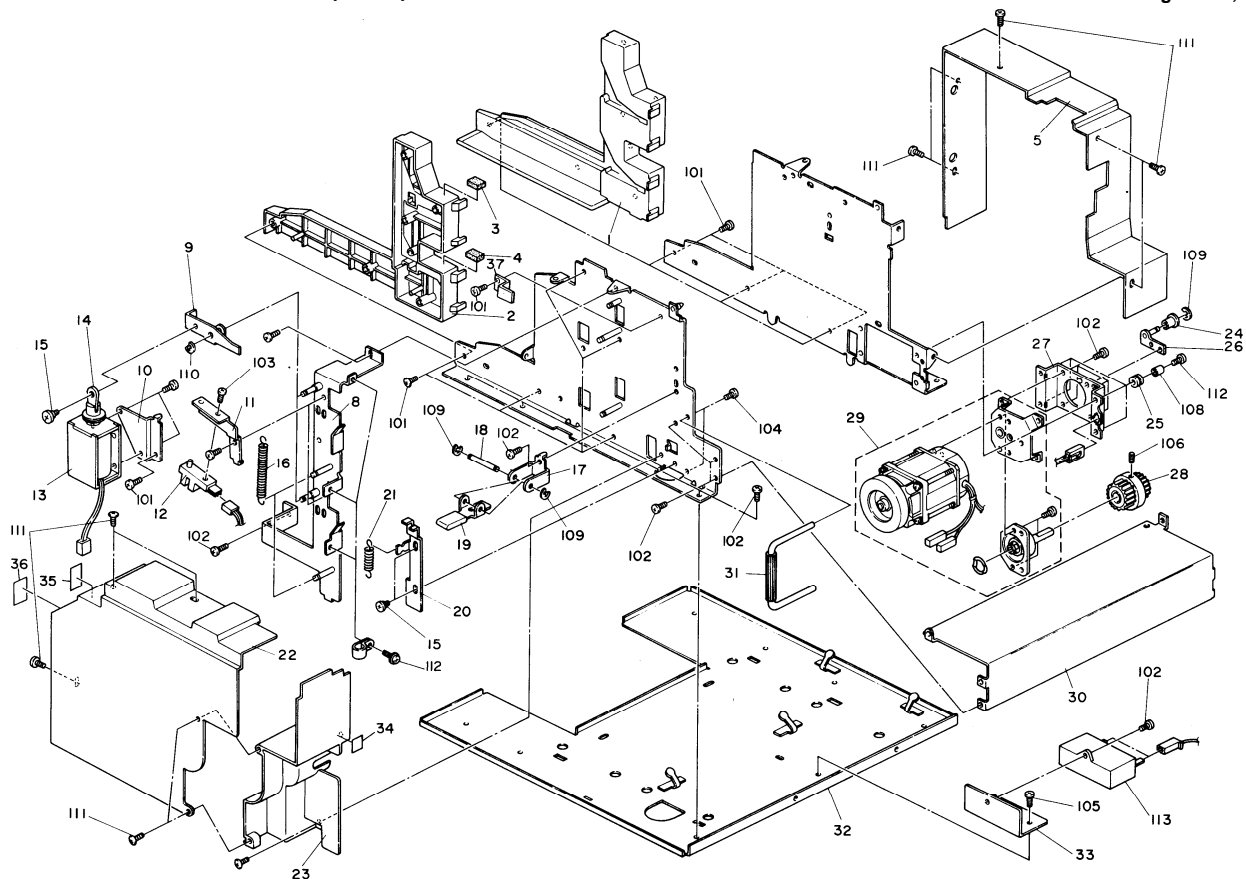
August 31, '89

Index No.	Part No.	Description	Q'ty Per Assembly
1	A420 3210	Base Plate	1
2	A420 3234	Connector Angle	1
3	A420 3250	Guide Holder Bracket	1
4	A420 5274	Main Paper Bank Harness	1
5	A420 3215	Slide Rail - Paper Bank	1
6	A420 3699	Magnet Catch Ass'y	3
7	A420 3753	Grip Guide	1
8	A420 3755	Grip Guide Shaft	1
9	A420 3754	Grip - Paper Feed Table	1
10	A420 3756	Grip Stopper	1
11	A420 3698	Front Table Hinge	1
12	A420 3670	Paper Bank Small Cover	1
13	A420 3675	Paper Bank Front Cover	1
14	A420 3246	Clamp Bracket	1
15	A420 3658	Paper Bank Cushion	4
16	A420 3635	Left Table Cover	1
17	A420 3653	Guide Bracket - Paper Bank	2
18	A420 3645	Rear Cover - Paper Bank	1
19	A420 3655	Frame Rail	2
20	A420 3654	Positioning Bracket	1
21	A420 3222	Bank Table Guide	1
22	5424 1064	Screw Stand	1
24	5415 1053	Caster	4
25	A420 3230	Sealed Plate Bracket	1
26	A420 3233	Connector Sealed Plate	1
27	A420 3247	Harness Guard Bracket	1
28	5446 5832	Connector Guide Pin	1
29	5424 2625	Connector Spring	1
30	A420 3227	Connector Bracket	1
31	A420 3226	Connector Cover Bracket	1
32	A420 3244	Safety Switch Cover	1
33	A420 3240	Safety Switch Bracket	1
34	A420 3261	Safety Switch Joint	1
35	A420 3625	Paper Bank Door	1
36	A019 6354	Decal - Reset	1

Index No.	Part No.	Description	Q'ty Per Assembly
37	A420 3262	Joint - Safety Switch	1
38	A420 3721	Rear Cover	1
39	A420 4117	Stopper Guide	1
101	0314 0060W	Philips Pan Head Screw - M4x6	
102	0801 1185	Philips Truss Head Screw - M4x8	
103	0314 0080W	Philips Pan Head Screw - M4x8	
104	0315 0080W	Philips Pan Head Screw - M5x8	
105	0343 0060Z	Philips Pan Head Screw - M3x6	
106	0344 0060Z	Philips Truss Head Screw - M4x6	
107	0720 0040E	Retaining Ring - M4	
108	0720 0050E	Retaining Ring - M5	
109	0720 0060E	Retaining Ring - M6	
110	0951 4060	Philips Screw With Flat Washer - M4x6	
111	1102 2481	Connector - 32P	
112	1204 1280	Push Switch	

### 3. PAPER FEED SECTION (A420)

August 31, '89





### 3. PAPER FEED SECTION (A420)

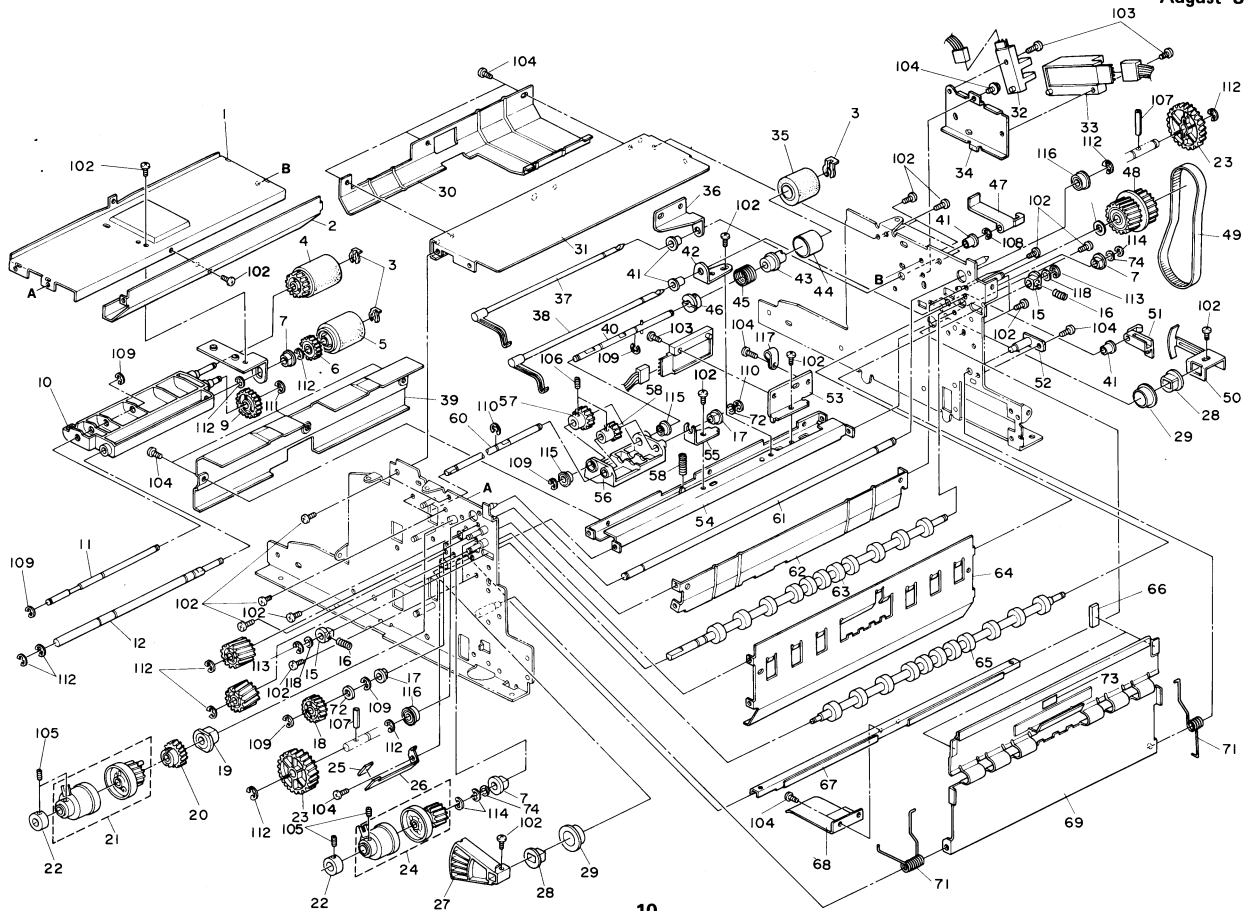
August 31, '89

Index No.	Part No.	Description	Q'ty Per Assembly
1	A420 2121	Rear Guide Cover - Receiving Cassette	1
2	A420 2111	Front Guide Cover - Receiving Cassette	1
3	A007 2877	Cushion - Upper Pick-off Bracket	1
4	A007 2878	Cushion - Lower Pick-off Bracket	1
5	A420 2830	Rear Inner Cover - Rear Side Fence	1
8	A420 2145	Solenoid Bracket	1
9	A420 2161	Pressure Pick-up Lever	1
10	A420 2148	Pick-up Solenoid Bracket	1
11	A000 2702	Lift Sensor Bracket	1
12	5205 5251	LED Sensor Type - T	1
13	5205 5321	Pick-up Solenoid	1
14	A007 2743	Pressure Solenoid Lever	1
15	5403 2075	Stepped Screw	2
16	AA06 0082	Pick-up Lever Spring	1
17	A420 2635	Release Lever Bracket	1
18	A420 2636	Release Lever Shaft	1
19	A420 2620	Release Lever Bracket Knob	1
20	A420 2631	Lock Lever	1
21	A420 2641	Tention Arm Spring	1
22	A420 2810	Inner Cover - Front Side Fence	1
23	A420 2820	Front Inner Cover - Front Side Fence	1
24	A420 2535	Idler - 5mm	1
25	5328 1304	Bushing - 5x11x5mm	1
26	A420 2530	Idler Bracket	1
27	A420 2527	Motor Bracket	1
28	A420 2526	Pulley - 15T/18T	1
29	AX02 0028	Paper Feed Motor	1
30	A420 2565	Motor Stay	1
31	A420 2611	Paper Bank Grip	1
32	A420 2350	Paper Bank Base	1
33	A420 2561	Capacitor Bracket	1
34	A420 4252	Decal - E3	1
34	AA00 1060	Decal - E3	1
35	AA00 1061	Decal - E4	1
36	A019 1366	Decal - Paper Load	1

Index No.	Part No.	Description	Q'ty Per Assembly
37	A420 2331	Paper Feed Support Bracket	1
101	0314 0060W	Philips Pan Head Screw - M4x6	
102	0314 0080W	Philips Pan Head Screw - M4x8	
103	0314 0100W	Philips Pan Head Screw - M4x10	
104	0315 0080W	Philips Pan Head Screw - M5x8	
105	0434 0080W	Tapping Screw - M4x8	
106	0555 0050E	Hexagon Headless Set Screw - M5x5	
107	0623 0100	Spring Pin - 3x10mm	
108	0707 4050B	Bushing - 4x5mm	
109	0720 0040E	Retaining Ring - M4	
110	0720 0050E	Retaining Ring - M5	
111	0802 5094	Tapping Screw - M4x8	
112	0965 4010W	Tapping Screw With Flat Washer - M4x10	
113	1606 1587	Capacitor - 8uF 220V	

# 4. 3RD PAPER FEED SECTION (A420)

August 31, '89



4. 3RD PAPER FEED SECTION (A420)

August 31, '89

Index No.	Part No.	Description	Q'ty Per Assembly
1	A007 2689	Paper Feed Stay	1
2	A420 2373	Upper Transport Guide	1
3	5447 2681	Snap Ring	3
4	5447 2723	Pick-up Roller	1
5	5447 2726	Paper Feed Roller	1
6	AB01 3078	Gear - 18T	1
7	0805 3039	Ball Bearing - 8x16x5mm	3
8	A007 2684	Paper Feed Roller Bracket	1
9	AB01 3079	Gear - 21T	1
10	A007 2686	Feed Guide - Paper Feed Roller	1
11	A420 2152	Pick-up Shaft	1
12	A420 2150	Feed Guide Shaft	1
13	AB01 3096	Gear - 20T	1
14	AB01 3097	Gear - 20T	1
15	A420 2378	Bushing	2
16	5205 2693	Relay Roller Spring	2
17	5053 0447	Bushing - M6	2
18	AB01 3077	Gear - 20T	1
19	5205 2865	Bushing - Paper Feed Roller	1
20	A420 2270	Separation Drive Gear	1
21	AX20 0015	Magnetic Clutch	1
22	5205 2866	Magnetic Clutch Collar	2
23	AB01 3095	Gear - 40T	2
24	AX20 0016	Magnetic Clutch - Transport	1
25	A420 2563	Rubber - Magnetic Clutch Stopper	1
26	A420 2562	Magnetic Clutch Stopper	1
27	A007 2759	Sector Gear	1
28	A007 2757	Bushing - Sector Gear	2
29	A007 2756	Bushing - Volume Sensor Shaft	2
30	A007 2615	Feed Guide - Upper	1
31	A420 2135	Paper Feed Cover - Upper	1
32	5205 5251	LED Sensor Type - T	1
33	5205 5253	Photointerruptor Pack	2
34	A007 2724	Lower Bracket - Paper End	1
35	5447 2693	Separation Roller	1

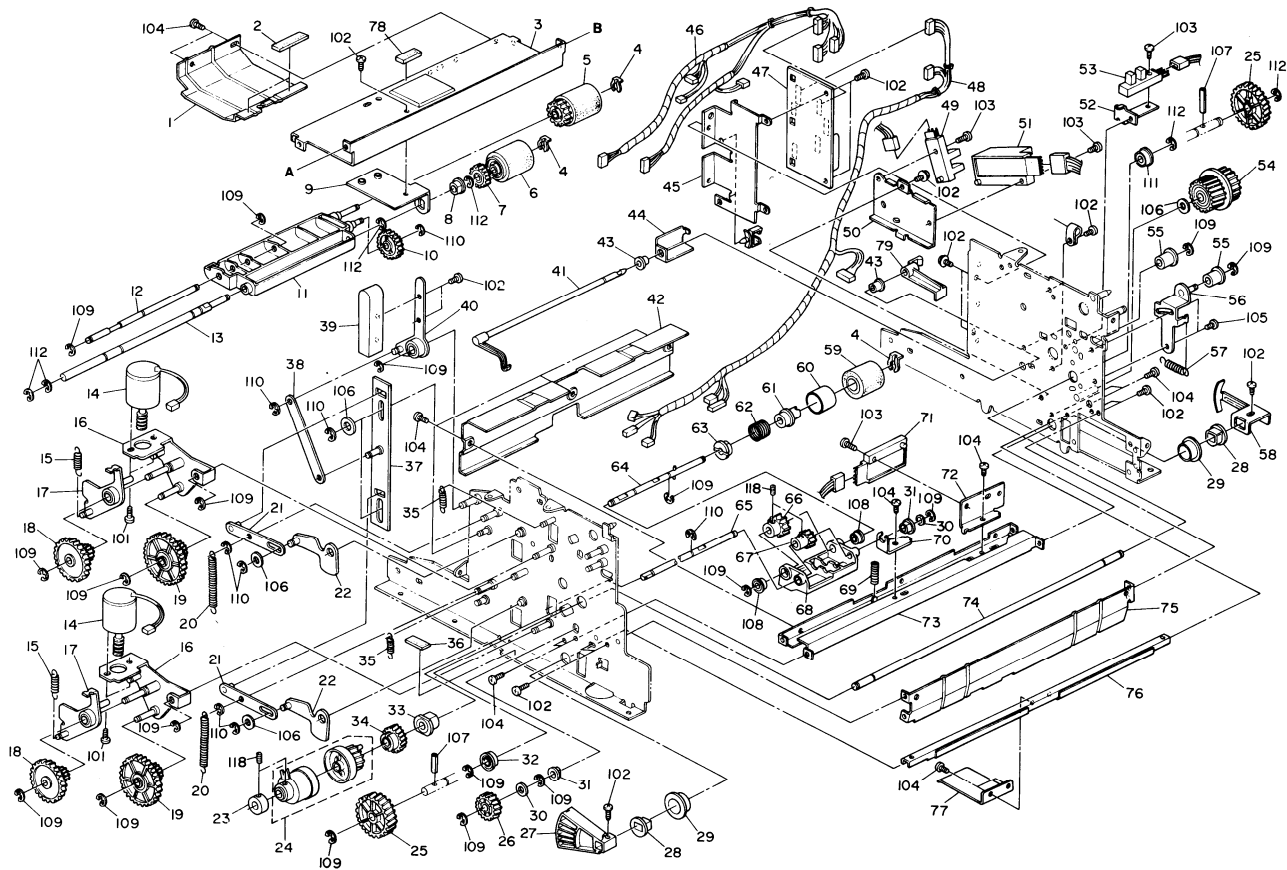
Index No.	Part No.	Description	Q'ty Per Assembly
36	A007 2720	Paper End Actuator Bracket	1
37	A007 2718	Paper End Feeler	1
38	A420 2380	Paper Sensor Feeler	1
39	A007 2649	Separation Guide	1
40	5205 2633	Separation Drive Shaft	1
41	5443 2668	Bushing	4
42	A420 2385	Lower Feeler Bracket	1
43	5447 2676	Output Hub	1
44	5447 2678	Slip Clutch Cover	1
45	5447 2697	Cylindrical Spring	1
46	5447 2695	Input Hub	1
47	5205 2644	Paper End Actuator	1
48	A420 2925	Pulley - 19T	1
49	A420 2528	Timing Belt - 184XL	1
50	A007 2758	Volume Sensor Arm	1
51	A420 2383	Shield Plate - Paper Sensor	1
52	A420 2355	Holder Plate - Transport Guide	1
53	A007 2661	Paper Size Sensor Bracket	1
54	A420 2141	Upper Paper Feed Separation Stay	1
55	A007 2655	Fixed Bracket - Separation	1
56	A007 2657	Separation Arm	1
57	AB01 1023	Gear - 15T	1
58	AB01 1024	Gear - 25T	1
59	AA06 3021	Paper Feed Separation Spring	1
60	AA14 0044	Pressure Arm Shaft	1
61	A420 2515	Upper Relay Shaft	1
62	A420 2371	Paper Feed Guide	1
63	A420 2375	Lower - Transport Drive Roller	1
64	A420 2374	Right Paper Feed Guide	1
65	A420 2377	Lower Transport Roller	1
66	AA02 1004	Upper Guide Plate Magnet	2
67	A007 2752	Volume Sensor Shaft	1
68	A007 2754	Bottom Plate Lever	1
69	A420 2360	Right Transport Guide	1
70	A420 2364	Front Guide Spring	1

Index No.	Part No.	Description	Q'ty Per Assembly
71	A420 2367	Rear Guide Spring	1
72	AA13 2024	Spacer - 1x6x10mm	1
73	AA00 1059	Decal - E2	1
74	AA13 2025	Spacer - 1x8x12mm	1

Index No.	Part No.	Description	Q'ty Per Assembly
101	0313 0060W	Philips Pan Head Screw - M3x6	
102	0314 0060W	Philips Pan Head Screw - M4x6	
103	0314 0100W	Philips Pan Head Screw - M4x10	
104	0434 0080W	Tapping Screw - M4x8	
105	0534 0060W	Hexagon Set Screw - M4x6	
106	0574 0050E	Hexagon Headless Set Screw - M4x5	
107	0623 0140E	Spring Pin - 3x14mm	
108	0720 0030E	Retaining Ring - M3	
109	0720 0040E	Retaining Ring - M4	
110	0720 0050E	Retaining Ring - M5	
111	0720 0050E	Retaining Ring - M5	
112	0720 0060E	Retaining Ring - M6	
113	0805 0050	Retaining Ring - M5	
114	0805 0060	Retaining Ring - M6	
115	0805 3042	Ball Bearing - 6x10x3mm	
116	0805 3291	Ball Bearing - 8x16x5mm	
117	1105 0016	Nylon Clip - 4N	
118	0807 4116	Spacer - M6	

# 5. 4TH PAPER FEED SECTION (A420)

August 31, '89



5. 4TH PAPER FEED SECTION (A420)

August 31, '89

Index No.	Part No.	Description	Q'ty Per Assembly
1	A007 2631	Pick-up Lower Guide	1
2	5205 2777	Cushion - Lower Pick-up Guide	1
3	A420 2131	Paper Feed Stay	1
4	5447 2681	Snap Ring	3
5	5447 2723	Pick-up Roller	1
6	5447 2726	Paper Feed Roller	1
7	AB01 3078	Gear - 18T	1
8	5053 0223	Bushing - 8mm	1
9	A007 2709	Paper Feed Roller	1
10	AB01 3079	Gear - 21T	1
11	A007 2686	Feed Guide - Paper Feed Roller	1
12	A420 2152	Pick-up Shaft	1
13	A420 2150	Feed Guide Shaft	1
14	A000 5507	Lift Motor - DC1.69W	2
15	5205 2678	Spring	2
16	5205 2667	Paper Lift Motor Bracket	2
17	5205 2788	Cassette Sensor Arm - Upper	2
18	5205 2681	Coupled Gear - 17T/50T	2
19	5205 2680	Coupled Gear - 16T/53T	2
20	A420 2261	Paper Feed Spring	2
21	A420 2220	Release Arm	2
22	A420 2240	Release Cam - Cassette	2
23	5205 2866	Magnetic Clutch Collar	1
24	AX20 0015	Magnetic Clutch	1
25	AB01 3095	Gear - 40T	2
26	AB01 3077	Gear - 20T	1
27	A007 2759	Sector Gear	1
28	A007 2757	Bushing - Sector Gear	2
29	A007 2756	Bushing - Volume Sensor Shaft	2
30	AA13 2024	Spacer - 1x6x10mm	1
31	5053 0447	Bushing - M6	2
32	0805 3291	Ball Bearing - 8x16x5mm	1
33	5205 2865	Bushing - Paper Feed Roller	1
34	A420 2270	Separation Drive Gear	1
35	5205 2674	Spring	2

Index No.	Part No.	Description	Q'ty Per Assembly
36	A420 2265	Cushion - Rising Gear	1
37	A420 2230	Paper Feed Guide	1
38	A420 2245	Paper Knob Lever	1
39	A420 2251	Paper Knob	1
40	A420 2210	Arm Lever - Paper Knob	1
41	A007 2718	Paper End Feeler	1
42	A007 2649	Separation Guide	1
43	5443 2668	Bushing	2
44	A007 2726	Paper End Actuator Bracket	1
45	A420 2387	Print Board Bracket	1
46	A420 5275	Rear Paper Bank Harness	1
47	A420 5270	Print Board - Paper Bank	1
48	A420 5276	Front Paper Bank Harness	1
49	5205 5251	LED Sensor Type - T	1
50	A007 2724	Lower Bracket - Paper End	1
51	5205 5253	Photointerruptor Pack	1
52	A420 2384	LED Sensor Bracket	1
53	5205 5251	LED Sensor Type - T	1
54	A420 2925	Pulley - 19T	1
55	A420 2535	Idler - 5mm	1
56	A420 2520	Tention Arm	1
57	A420 2641	Tention Arm Spring	1
58	A007 2758	Volume Sensor Arm	1
59	5447 2693	Separation Roller	1
60	5447 2678	Slip Clutch Cover	1
61	5447 2676	Output Hub	1
62	5447 2697	Cylindrical Spring	1
63	5447 2695	Input Hub	1
64	AA14 0135	Separation Driven Shaft	1
65	AA14 0044	Pressure Arm Shaft	1
66	AB01 1023	Gear - 15T	1
67	AB01 1024	Gear - 25T	1
68	A007 2657	Separation Arm	1
69	AA06 3021	Paper Feed Separation Spring	1
70	A007 2655	Fixed Bracket - Separation	1

Index No.	Part No.	Description	Q'ty Per Assembly
71	5205 5253	Photointerruptor Pack	1
72	A007 2661	Paper Size Sensor Bracket	1
73	A420 2141	Upper Paper Feed Separation Stay	1
74	A420 2511	Transport Shaft	1
75	A420 2371	Paper Feed Guide	1
76	A007 2752	Volume Sensor Shaft	1
77	A007 2754	Bottom Plate Lever	1
78	A007 2894	Cushion - 8x15x30	1
79	5205 2644	Paper End Actuator	1

Index No.	Part No.	Description	Q'ty Per Assembly
101	0313 0060W	Philips Pan Head Screw - M3x6	
102	0314 0060W	Philips Pan Head Screw - M4x6	
103	0314 0100W	Philips Pan Head Screw - M4x10	
104	0434 0080W	Tapping Screw - M4x8	
105	0314 0080W	Philips Pan Head Screw - M4x8	
106	0700 0060	Spacer	
107	0623 0140E	Spring Pin - 3x14mm	
108	0805 3042	Ball Bearing - 6x10x3mm	
109	0720 0040E	Retaining Ring - M4	
110	0720 0050E	Retaining Ring - M5	
111	0805 3291	Ball Bearing - 8x16x5mm	
112	0720 0060E	Retaining Ring - M6	
113	0805 0050	Retaining Ring - M5	
114	0805 0060	Retaining Ring - M6	
115	0805 3042	Ball Bearing - 6x10x3mm	
116	0805 3291	Ball Bearing - 8x16x5mm	
117	1105 0016	Nylon Clip - 4N	
118	0534 0060W	Hexagon Set Screw - M4x6	

## CONNECTOR

SYMBOL NO.	INDEX NO.
CN451	106
CN452	107
CN453	108
CN454	103
CN455	105
CN456	102
CN457	104
CN458	101

## DIODE

SYMBOL NO.	INDEX NO.
D451	110
D452	110
D453	110
D454	110
D455	110
D456	110
D457	110
D458	110
D459	110
D460	110

SYMBOL NO.	INDEX NO.
D461	110
D462	110
D463	110
D464	110
D465	110
D466	110
D467	110
D468	110
D469	110
D470	110

## CAPACITOR

SYMBOL NO.	INDEX NO.
D471	110
D472	110
D473	110
D474	111
D475	111
D476	111

SYMBOL NO.	INDEX NO.
C451	113
C452	112

## SSR

SYMBOL NO.	INDEX NO.
SSR451	109

## 6. PRINT BOARD – PAPER BANK (A420)

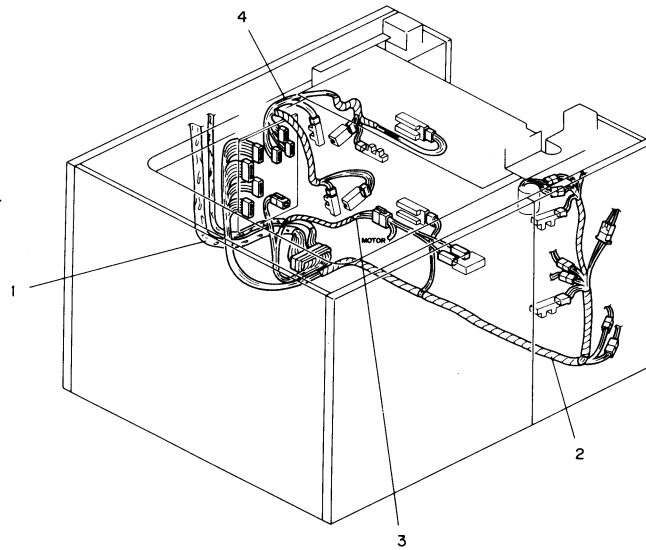
August 31, '89

Index No.	Part No.	Description	Q'ty Per Assembly
*	A420 5270	Print Board - Paper Bank	1

Index No.	Part No.	Description	Q'ty Per Assembly
101	1102 2113	Connector - 2P	
102	1103 1730	Connector - 8P	
103	1103 1731	Connector - 9P	
104	1103 1732	Connector - 10P	
105	1103 1734	Connector - 12P	
106	1103 1735	Connector - 13P	
107	1103 1736	Connector - 14P	
108	1103 1749	Connector - 13P	
109	1208 1028	Solid State Relay	
110	1401 0825	Diode - 1SS176	
111	1402 0423	Diode - S5500G	
112	1604 1382	Capacitor - 10 $\mu$ F 50V	
113	1606 0998	Capacitor - 0.01 $\mu$ F 50V	

## 7. HARNESS LAYOUT (A420)

August 31, '89





## 7. HARNESS LAYOUT (A420)

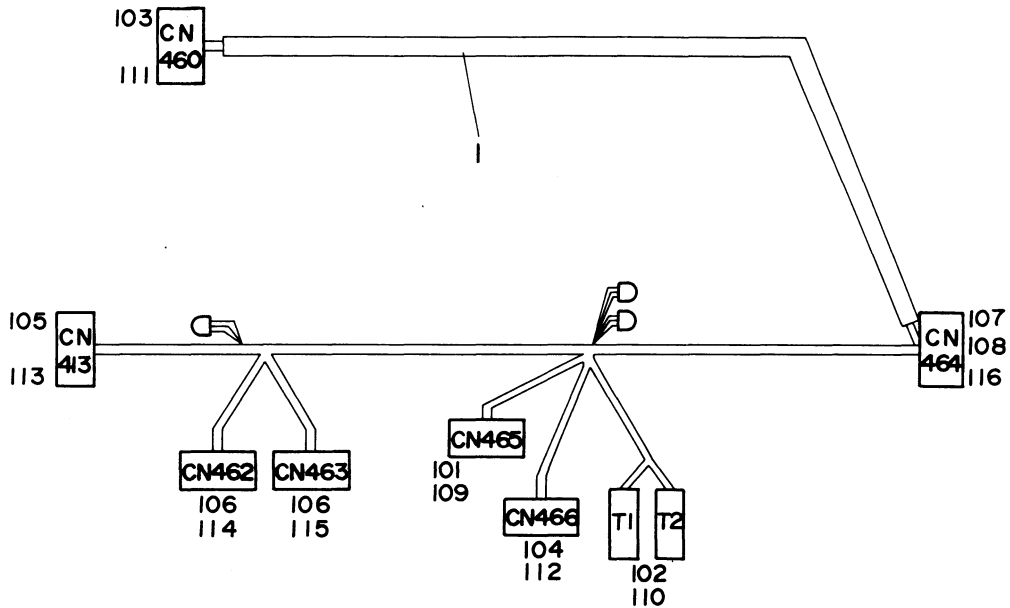
August 31, '89

Index No.	Part No.	Description	Q'ty Per Assembly
1	A420 5273	Vertical Transport Harness	1
2	A420 5276	Front Paper Bank Harness	1
3	A420 5274	Main Paper Bank Harness	1
4	A420 5275	Rear Paper Bank Harness	1

Index No.	Part No.	Description	Q'ty Per Assembly
-----------	----------	-------------	-------------------

# 8. VERTICAL TRANSPORT HARNESS (A420)

August 31, '89



## 8. VERTICAL TRANSPORT HARNESS (A420)

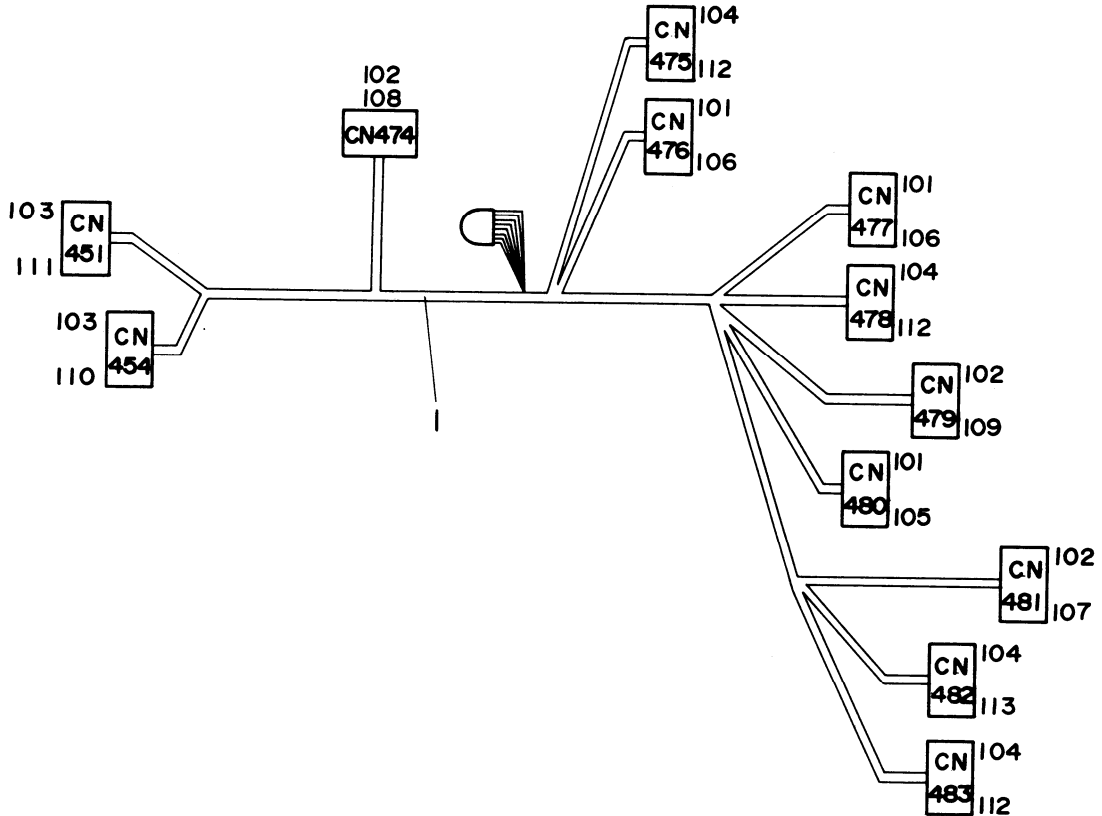
August 31, '89

Index No.	Part No.	Description	Q'ty Per Assembly
1	A420 5273	Vertical Transport Harness	1

Index No.	Part No.	Description	Q'ty Per Assembly
101	1100 1159	Socket - Mate-N-Lock	
102	1100 1172	Fastening Receptacle	
103	1100 1239	Pin - Mate-N-Lock	
104	1100 1249	Receptacle Terminal	
105	1100 1327	Contact	
106	1100 1328	Contact	
107	1100 1342	Contact	
108	1100 1345	Pin Contact	
109	1102 1326	Connector - 3P	
110	1102 1402	Receptacle Housing - 1P	
111	1102 1524	Connector - 2P(RED)	
112	1102 1786	Connector - 3P	
113	1102 1922	Connector - 14P	
114	1102 1969	Connector - 10P	
115	1102 1974	Connector - 8P	
116	1102 2482	Connector	

# 9. FRONT PAPER BANK HARNESS (A420)

August 31, '89



## 9. FRONT PAPER BANK HARNESS (A420)

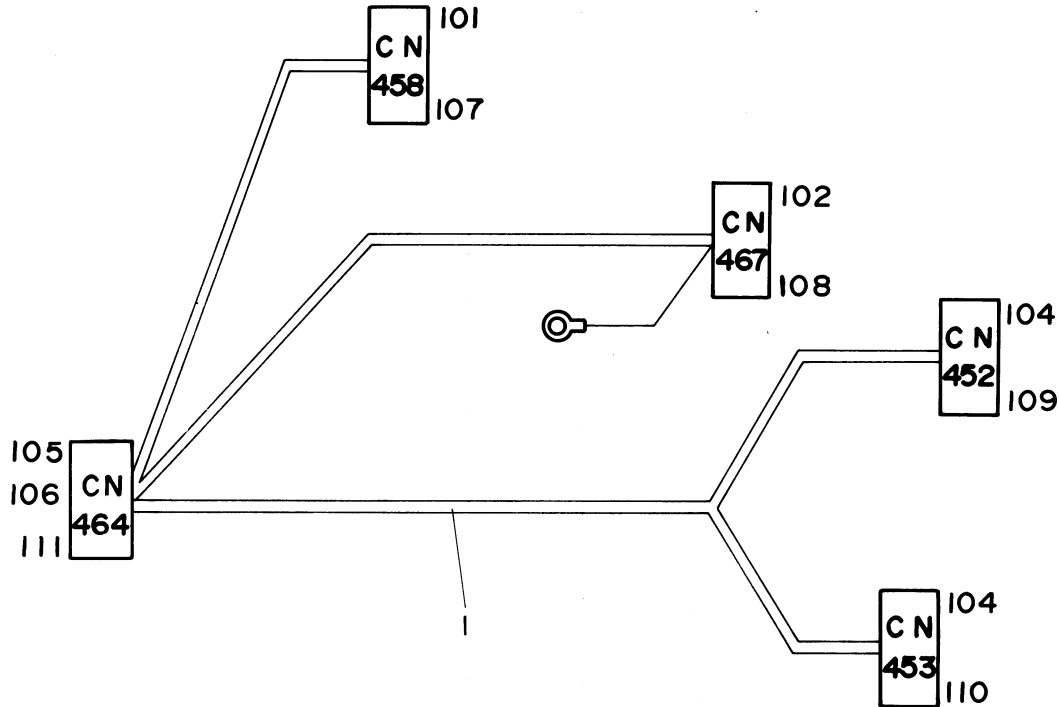
August 31, '89

Index No.	Part No.	Description	Q'ty Per Assembly
1	A420 5276	Front Paper Bank Harness	1

Index No.	Part No.	Description	Q'ty Per Assembly
101	1100 1159	Socket - Mate-N-Lock	
102	1100 1249	Receptacle Terminal	
103	1100 1327	Contact	
104	1100 1328	Contact	
105	1102 1326	Connector - 3P	
106	1102 1396	Connector - 2P	
107	1102 1620	Connector - 3P	
108	1102 1623	Receptacle Housing - 7P	
109	1102 1786	Connector - 3P	
110	1102 1917	Connector - 9P	
111	1102 1921	Connector - 13P	
112	1102 1964	Connector - 2P	
113	1102 1970	Connector - 2P	

10. MAIN PAPER BANK HARNESS (A420)

August 31, '89



# 10. MAIN PAPER BANK HARNESS (A420)

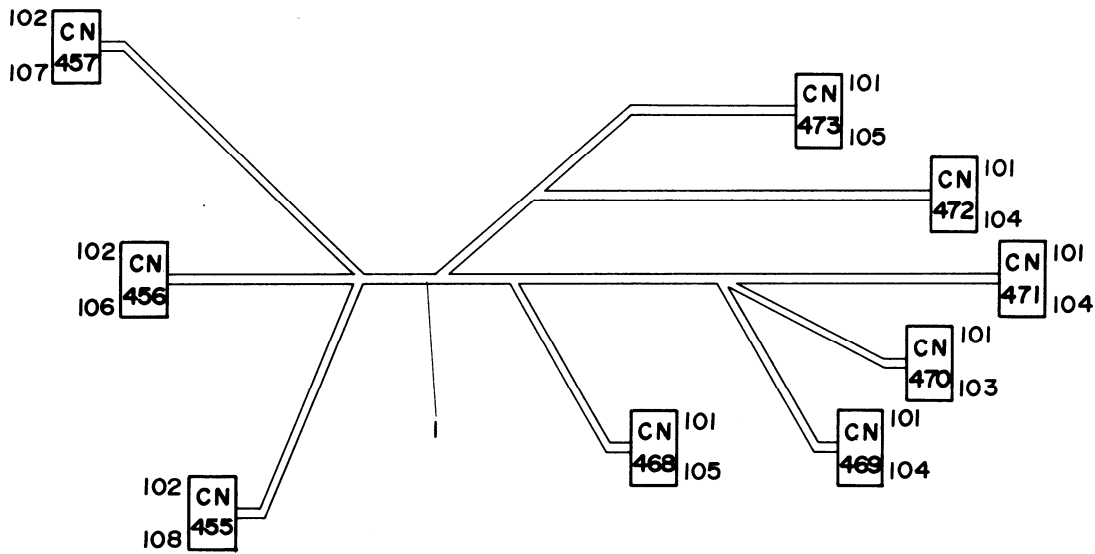
August 31, '89

Index No.	Part No.	Description	Q'ty Per Assembly
1	A420 5274	Harness - Cassette Bank	1

Index No.	Part No.	Description	Q'ty Per Assembly
101	1100 0864	Housing - AWG14-20	
102	1100 1241	Socket - Mate-N-Lock	
103	1100 1264	Fastening Receptacle	
104	1100 1327	Contact	
105	1100 1340	Contact	
106	1100 1343	Pin Contact	
107	1102 0946	Housing - 3P	
108	1102 1516	Connector - 3P	
109	1102 1922	Connector - 14P	
110	1102 1935	Connector	
111	1102 2481	Connector - 32P	

# 11. REAR PAPER BANK HARNESS (A420)

August 31, '89





# 11. REAR PAPER BANK HARNESS (A420)

August 31, '89

Index No.	Part No.	Description	Q'ty Per Assembly
1	A420 5275	Rear Paper Bank Harness	1

Index No.	Part No.	Description	Q'ty Per Assembly
101	1100 1249	Receptacle Terminal	
102	1100 1327	Contact	
103	1102 1620	Connector - 3P	
104	1102 1623	Receptacle Housing - 7P	
105	1102 1786	Connector - 3P	
106	1102 1916	Connector - 8P	
107	1102 1918	Connector - 10P	
108	1102 1920	Connector - 12P	

1



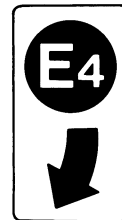
2



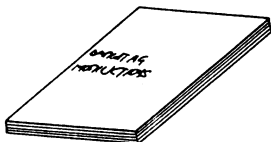
3



4



5



**12. DECAL (A420)****August 31, '89**

Index No.	Part No.	Description	Q'ty Per Assembly
*	A420 4256	Decal Sheet - 4LANGUAGES	1
*	A420 4258	Decal Sheet	1
1	A420 4232	Decal - E1	1
1	AA00 1053	Decal - E1	1
2	AA00 1059	Decal - E2	1
3	AA00 1060	Decal - E3	1
4	AA00 1061	Decal - E4	1
5	A420 8610	Installation Procedure - English	1
5	A420 8615	Installation Procedure - 5 Language	1

Index No.	Part No.	Description	Q'ty Per Assembly

# PARTS INDEX

Parts No.	Description	Page and Index No.
A420 2111	Front Guide Cover - Receiving Cassette	9-2
A420 2121	Rear Guide Cover - Receiving Cassette	9-1
A420 2131	Paper Feed Stay	13-3
A420 2135	Paper Feed Cover - Upper	11-31
A420 2141	Upper Paper Feed Separation Stay	11-54
A420 2141	Upper Paper Feed Separation Stay	13-73
A420 2145	Solenoid Bracket	9-8
A420 2148	Pick-up Solenoid Bracket	9-10
A420 2150	Feed Guide Shaft	11-12
A420 2150	Feed Guide Shaft	13-13
A420 2152	Pick-up Shaft	11-11
A420 2152	Pick-up Shaft	13-12
A420 2161	Pressure Pick-up Lever	9-9
A420 2210	Arm Lever - Paper Knob	13-40
A420 2220	Release Arm	13-21
A420 2230	Paper Feed Guide	13-37
A420 2240	Release Cam - Cassette	13-22
A420 2245	Paper Knob Lever	13-38
A420 2251	Paper Knob	13-39
A420 2261	Paper Feed Spring	13-20
A420 2265	Cushion - Rising Gear	13-36
A420 2270	Separation Drive Gear	11-20
A420 2270	Separation Drive Gear	13-34
A420 2331	Paper Feed Support Bracket	9-37
A420 2350	Paper Bank Base	9-32
A420 2355	Holder Plate - Transport Guide	11-52
A420 2360	Right Transport Guide	11-69
A420 2364	Front Guide Spring	11-70
A420 2367	Rear Guide Spring	11-71
A420 2371	Paper Feed Guide	11-62
A420 2371	Paper Feed Guide	13-75
A420 2373	Upper Transport Guide	11-2
A420 2374	Right Paper Feed Guide	11-64
A420 2375	Lower - Transport Drive Roller	11-63
A420 2377	Lower Transport Roller	11-65

Parts No.	Description	Page and Index No.
A420 2378	Bushing	11-15
A420 2378	Bushing	5-10
A420 2380	Paper Sensor Feeler	11-38
A420 2383	Shield Plate - Paper Sensor	11-51
A420 2384	LED Sensor Bracket	13-52
A420 2385	Lower Feeler Bracket	11-42
A420 2387	Print Board Bracket	13-45
A420 2511	Transport Shaft	13-74
A420 2515	Upper Relay Shaft	11-61
A420 2520	Tention Arm	13-56
A420 2526	Pulley - 15T/18T	9-28
A420 2527	Motor Bracket	9-27
A420 2528	Timing Belt - 184XL	11-49
A420 2530	Idler Bracket	9-26
A420 2535	Idler - 5mm	13-55
A420 2535	Idler - 5mm	9-24
A420 2561	Capacitor Bracket	9-33
A420 2562	Magnetic Clutch Stopper	11-26
A420 2563	Rubber - Magnetic Clutch Stopper	11-25
A420 2563	Rubber - Magnetic Clutch Stopper	5-34
A420 2565	Motor Stay	9-30
A420 2611	Paper Bank Grip	9-31
A420 2620	Release Lever Bracket Knob	9-19
A420 2631	Lock Lever	9-20
A420 2635	Release Lever Bracket	9-17
A420 2636	Release Lever Shaft	9-18
A420 2641	Tention Arm Spring	13-57
A420 2641	Tention Arm Spring	9-21
A420 2709	Front Side Fence - Transport	5-7
A420 2719	Rear Side Fence - Transport	5-31
A420 2726	Rear Side Fence Cap - Transport	5-30
A420 2732	Transport Sensor Bracket	5-19
A420 2733	Left Guide Plate - Transport	5-21
A420 2735	Feeler Bracket	5-16
A420 2741	Paper Sensor Feeler	5-14

Parts No.	Description	Page and Index No.
A420 2742	Feeler Shaft - Paper Sensor	5-15
A420 2743	Upper Shutter - Paper Sensor	5-17
A420 2752	Right Guide Plate - Transport	5-22
A420 2755	Upper Drive Relay Roller	5-20
A420 2756	Upper Relay Roller	5-23
A420 2761	Gear - 38T	5-9
A420 2762	Transport Bracket Spring	5-12
A420 2766	Magnetic Clutch Stopper	5-33
A420 2767	Idle Gear Spring	5-27
A420 2770	Front Transport Bracket	5-13
A420 2780	Rear Transport Bracket	5-24
A420 2785	Gear - 18T	5-8
A420 2810	Inner Cover - Front Side Fence	9-22
A420 2820	Front Inner Cover - Front Side Fence	9-23
A420 2830	Rear Inner Cover - Rear Side Fence	9-5
A420 2925	Pulley - 19T	11-48
A420 2925	Pulley - 19T	13-54
A420 3210	Base Plate	7-1
A420 3215	Slide Rail - Paper Bank	7-5
A420 3222	Bank Table Guide	7-21
A420 3226	Connector Cover Bracket	7-31
A420 3227	Connector Bracket	7-30
A420 3230	Sealed Plate Bracket	7-25
A420 3233	Connector Sealed Plate	7-26
A420 3234	Connector Angle	7-2
A420 3240	Safety Switch Bracket	7-33
A420 3244	Safety Switch Cover	7-32
A420 3246	Clamp Bracket	7-14
A420 3247	Harness Guard Bracket	7-27
A420 3250	Guide Holder Bracket	7-3
A420 3261	Safety Switch Joint	7-34
A420 3262	Joint - Safety Switch	7-37
A420 3625	Paper Bank Door	7-35
A420 3635	Left Table Cover	7-16
A420 3645	Rear Cover - Paper Bank	7-18

Parts No.	Description	Page and Index No.
A420 3653	Guide Bracket - Paper Bank	7-17
A420 3654	Positioning Bracket	7-20
A420 3655	Frame Rail	7-19
A420 3658	Paper Bank Cushion	7-15
A420 3670	Paper Bank Small Cover	7-12
A420 3675	Paper Bank Front Cover	7-13
A420 3698	Front Table Hinge	7-11
A420 3699	Magnet Catch Ass'y	7-6
A420 3721	Rear Cover	7-38
A420 3753	Grip Guide	7-7
A420 3754	Grip - Paper Feed Table	7-9
A420 3755	Grip Guide Shaft	7-8
A420 3756	Grip Stopper	7-10
A420 4110	Transport Knob Bracket	5-1
A420 4113	Gear - 26T	5-3
A420 4114	Knob Shaft	5-5
A420 4115	Transport Roller Knob	5-6
A420 4116	Gear - 30T	5-4
A420 4117	Stopper Guide	7-39
A420 4232	Decal - E1	27-1
A420 4252	Decal - E3	9-34
A420 4256	Decal Sheet - 4LANGUAGES	27-*
A420 4258	Decal Sheet	27-*
A420 5270	Print Board - Paper Bank	13-47
A420 5270	Print Board - Paper Bank	15-*
A420 5273	Vertical Transport Harness	17-1
A420 5273	Vertical Transport Harness	19-1
A420 5273	Vertical Transport Harness	5-25
A420 5274	Main Paper Bank Harness	17-3
A420 5274	Harness - Cassette Bank	23-1
A420 5274	Main Paper Bank Harness	7-4
A420 5275	Rear Paper Bank Harness	13-46
A420 5275	Rear Paper Bank Harness	17-4
A420 5275	Rear Paper Bank Harness	25-1
A420 5276	Front Paper Bank Harness	13-48

Parts No.	Description	Page and Index No.
A420 5276	Front Paper Bank Harness	17-2
A420 5276	Front Paper Bank Harness	21-1
A420 8610	Installation Procedure - English	27-5
A420 8615	Installation Procedure - 5 Language	27-5

Parts No.	Description	Page and Index No.
AA00 1053	Decal - E1	27-1
AA00 1059	Decal - E2	11-73
AA00 1059	Decal - E2	27-2
AA00 1060	Decal - E3	27-3
AA00 1060	Decal - E3	9-34
AA00 1061	Decal - E4	27-4
AA00 1061	Decal - E4	9-35
AA02 1004	Upper Guide Plate Magnet	11-66
AA06 0082	Pick-up Lever Spring	9-16
AA06 3021	Paper Feed Separation Spring	11-59
AA06 3021	Paper Feed Separation Spring	13-69
AA13 2024	Spacer - 1x6x10mm	11-72
AA13 2024	Spacer - 1x6x10mm	13-30
AA13 2025	Spacer - 1x8x12mm	11-74
AA13 2025	Spacer - 1x8x12mm	5-35
AA14 0044	Pressure Arm Shaft	11-60
AA14 0044	Pressure Arm Shaft	13-65
AA14 0135	Separation Driven Shaft	13-64
AB01 1023	Gear - 15T	11-57
AB01 1023	Gear - 15T	13-66
AB01 1024	Gear - 25T	11-58
AB01 1024	Gear - 25T	13-67
AB01 3077	Gear - 20T	11-18
AB01 3077	Gear - 20T	13-26
AB01 3078	Gear - 18T	11-6
AB01 3078	Gear - 18T	13-7
AB01 3079	Gear - 21T	11-9
AB01 3079	Gear - 21T	13-10
AB01 3094	Idle Gear - 36T	5-28
AB01 3095	Gear - 40T	11-23
AB01 3095	Gear - 40T	13-25
AB01 3096	Gear - 20T	11-13
AB01 3097	Gear - 20T	11-14
AB01 3097	Gear - 20T	5-26
AX02 0028	Paper Feed Motor	9-29

Parts No.	Description	Page and Index No.
AX20 0015	Magnetic Clutch	11-21
AX20 0015	Magnetic Clutch	13-24
AX20 0016	Magnetic Clutch - Transport	11-24
AX20 0016	Magnetic Clutch - Vertical Transport	5-29
A000 2702	Lift Sensor Bracket	9-11
A000 5507	Lift Motor - DCL.69W	13-14
A007 2615	Feed Guide - Upper	11-30
A007 2631	Pick-up Lower Guide	13-1
A007 2649	Separation Guide	11-39
A007 2649	Separation Guide	13-42
A007 2655	Fixed Bracket - Separation	11-55
A007 2655	Fixed Bracket - Separation	13-70
A007 2657	Separation Arm	11-56
A007 2657	Separation Arm	13-68
A007 2661	Paper Size Sensor Bracket	11-53
A007 2661	Paper Size Sensor Bracket	13-72
A007 2684	Paper Feed Roller Bracket	11-8
A007 2686	Feed Guide - Paper Feed Roller	11-10
A007 2686	Feed Guide - Paper Feed Roller	13-11
A007 2689	Paper Feed Stay	11-1
A007 2709	Paper Feed Roller	13-9
A007 2718	Paper End Feeler	11-37
A007 2718	Paper End Feeler	13-41
A007 2720	Paper End Actuator Bracket	11-36
A007 2724	Lower Bracket - Paper End	11-34
A007 2724	Lower Bracket - Paper End	13-50
A007 2726	Paper End Actuator Bracket	13-44
A007 2743	Pressure Solenoid Lever	9-14
A007 2752	Volume Sensor Shaft	11-67
A007 2752	Volume Sensor Shaft	13-76
A007 2754	Bottom Plate Lever	11-68
A007 2754	Bottom Plate Lever	13-77
A007 2756	Bushing - Volume Sensor Shaft	11-29
A007 2756	Bushing - Volume Sensor Shaft	13-29
A007 2757	Bushing - Sector Gear	11-28

Parts No.	Description	Page and Index No.
A007 2757	Bushing - Sector Gear	13-28
A007 2758	Volume Sensor Arm	11-50
A007 2758	Volume Sensor Arm	13-58
A007 2759	Sector Gear	11-27
A007 2759	Sector Gear	13-27
A007 2877	Cushion - Upper Pick-off Bracket	9-3
A007 2878	Cushion - Lower Pick-off Bracket	9-4
A007 2894	Cushion - 8x15x30	13-78
A019 1366	Decal - Paper Load	9-36
A019 6354	Decal - Reset	7-36
5053 0223	Bushing - 8mm	13-8
5053 0447	Bushing - M6	11-17
5053 0447	Bushing - M6	13-31
5205 2633	Separation Drive Shaft	11-40
5205 2644	Paper End Actuator	11-47
5205 2644	Paper End Actuator	13-79
5205 2667	Paper Lift Motor Bracket	13-16
5205 2674	Spring	13-35
5205 2678	Spring	13-15
5205 2680	Coupled Gear - 16T/53T	13-19
5205 2681	Coupled Gear - 17T/50T	13-18
5205 2693	Relay Roller Spring	11-16
5205 2693	Relay Roller Spring	5-11
5205 2777	Cushion - Lower Pick-up Guide	13-2
5205 2788	Cassette Sensor Arm - Upper	13-17
5205 2865	Bushing - Paper Feed Roller	11-19
5205 2865	Bushing - Paper Feed Roller	13-33
5205 2866	Magnetic Clutch Collar	11-22
5205 2866	Magnetic Clutch Collar	13-23
5205 2866	Magnetic Clutch Collar	5-32
5205 5251	LED Sensor Type - T	11-32
5205 5251	LED Sensor Type - T	13-49
5205 5251	LED Sensor Type - T	13-53
5205 5251	LED Sensor Type - T	5-18
5205 5251	LED Sensor Type - T	9-12



Parts No.	Description	Page and Index No.
5205 5253	Photointerruptor Pack	11-33
5205 5253	Photointerruptor Pack	13-51
5205 5253	Photointerruptor Pack	13-71
5205 5321	Pick-up Solenoid	9-13
5328 1304	Bushing - 5x11x5mm	9-25
5403 2075	Stepped Screw	9-15
5415 1053	Caster	7-24
5424 1064	Screw Stand	7-22
5424 2625	Connector Spring	7-29
5443 2668	Bushing	11-41
5443 2668	Bushing	13-43
5446 5832	Connector Guide Pin	7-28
5447 2676	Output Hub	11-43
5447 2676	Output Hub	13-61
5447 2678	Slip Clutch Cover	11-44
5447 2678	Slip Clutch Cover	13-60
5447 2681	Snap Ring	11-3
5447 2681	Snap Ring	13-4
5447 2693	Separation Roller	11-35
5447 2693	Separation Roller	13-59
5447 2695	Input Hub	11-46
5447 2695	Input Hub	13-63
5447 2697	Cylindrical Spring	11-45
5447 2697	Cylindrical Spring	13-62
5447 2723	Pick-up Roller	11-4
5447 2723	Pick-up Roller	13-5
5447 2726	Paper Feed Roller	11-5
5447 2726	Paper Feed Roller	13-6

Parts No.	Description	Page and Index No.
0313 0060W	Philips Pan Head Screw - M3x6	11-101
0313 0060W	Philips Pan Head Screw - M3x6	13-101
0314 0060W	Philips Pan Head Screw - M4x6	11-102
0314 0060W	Philips Pan Head Screw - M4x6	13-102
0314 0060W	Philips Pan Head Screw - M4x6	5-101
0314 0060W	Philips Pan Head Screw - M4x6	7-101
0314 0060W	Philips Pan Head Screw - M4x6	9-101
0314 0080W	Philips Pan Head Screw - M4x8	13-105
0314 0080W	Philips Pan Head Screw - M4x8	5-102
0314 0080W	Philips Pan Head Screw - M4x8	7-103
0314 0080W	Philips Pan Head Screw - M4x8	9-102
0314 0100W	Philips Pan Head Screw - M4x10	11-103
0314 0100W	Philips Pan Head Screw - M4x10	13-103
0314 0100W	Philips Pan Head Screw - M4x10	9-103
0314 0120W	Philips Pan Head Screw - M4x12	5-103
0315 0080W	Philips Pan Head Screw - M5x8	7-104
0315 0080W	Philips Pan Head Screw - M5x8	9-104
0343 0060Z	Philips Pan Head Screw - M3x6	7-105
0344 0060Z	Philips Truss Head Screw - M4x6	7-106
0434 0080W	Tapping Screw - M4x8	11-104
0434 0080W	Tapping Screw - M4x8	13-104
0434 0080W	Tapping Screw - M4x8	5-104
0434 0080W	Tapping Screw - M4x8	9-105
0534 0060W	Hexagon Set Screw - M4x6	11-105
0534 0060W	Hexagon Set Screw - M4x6	13-118
0554 0040E	Allen Screw - M4x4	5-105
0555 0050E	Hexagon Headless Set Screw - M5x5	9-106
0574 0050E	Hexagon Headless Set Screw - M4x5	11-106
0623 0100	Spring Pin - 3x10mm	9-107
0623 0140E	Spring Pin - 3x14mm	11-107
0623 0140E	Spring Pin - 3x14mm	13-107
0633 0140B	Parallel Pin	5-106
0700 0060	Spacer	13-106
0700 0080	Washer	5-107
0707 4050B	Bushing - 4x5mm	9-108

Parts No.	Description	Page and Index No.
0720 0030E	Retaining Ring - M3	11-108
0720 0030E	Retaining Ring - M3	5-108
0720 0040E	Retaining Ring - M4	11-109
0720 0040E	Retaining Ring - M4	13-109
0720 0040E	Retaining Ring - M4	5-109
0720 0040E	Retaining Ring - M4	7-107
0720 0040E	Retaining Ring - M4	9-109
0720 0050E	Retaining Ring - M5	11-110
0720 0050E	Retaining Ring - M5	11-111
0720 0050E	Retaining Ring - M5	13-110
0720 0050E	Retaining Ring - M5	5-110
0720 0050E	Retaining Ring - M5	7-108
0720 0050E	Retaining Ring - M5	9-110
0720 0060E	Retaining Ring - M6	11-112
0720 0060E	Retaining Ring - M6	13-112
0720 0060E	Retaining Ring - M6	5-111
0720 0060E	Retaining Ring - M6	7-109
0801 1185	Philips Truss Head Screw - M4x8	7-102
0802 5094	Tapping Screw - M4x8	9-111
0805 0050	Retaining Ring - M5	11-113
0805 0050	Retaining Ring - M5	13-113
0805 0060	Retaining Ring - M6	11-114
0805 0060	Retaining Ring - M6	13-114
0805 3039	Ball Bearing - 8x16x5mm	11-7
0805 3039	Ball Bearing - 8x16x5mm	5-2
0805 3042	Ball Bearing - 6x10x3mm	11-115
0805 3042	Ball Bearing - 6x10x3mm	13-108
0805 3042	Ball Bearing - 6x10x3mm	13-115
0805 3291	Ball Bearing - 8x16x5mm	11-116
0805 3291	Ball Bearing - 8x16x5mm	13-111
0805 3291	Ball Bearing - 8x16x5mm	13-116
0805 3291	Ball Bearing - 8x16x5mm	13-32
0807 4116	Spacer - M6	11-118
0807 4116	Spacer - M6	5-112
0951 4060	Philips Screw With Flat Washer - M4x6	7-110

Parts No.	Description	Page and Index No.
0965 4010W	Tapping Screw With Flat Washer - M4x10	9-112
1100 0864	Housing - AWG14-20	23-101
1100 1159	Socket - Mate-N-Lock	19-101
1100 1159	Socket - Mate-N-Lock	21-101
1100 1172	Fastening Receptacle	19-102
1100 1239	Pin - Mate-N-Lock	19-103
1100 1241	Socket - Mate-N-Lock	23-102
1100 1249	Receptacle Terminal	19-104
1100 1249	Receptacle Terminal	21-102
1100 1249	Receptacle Terminal	25-101
1100 1264	Fastening Receptacle	23-103
1100 1327	Contact	19-105
1100 1327	Contact	21-103
1100 1327	Contact	23-104
1100 1327	Contact	25-102
1100 1328	Contact	19-106
1100 1328	Contact	21-104
1100 1340	Contact	23-105
1100 1342	Contact	19-107
1100 1343	Pin Contact	23-106
1100 1345	Pin Contact	19-108
1102 0946	Housing - 3P	23-107
1102 1326	Connector - 3P	19-109
1102 1326	Connector - 3P	21-105
1102 1396	Connector - 2P	21-106
1102 1402	Receptacle Housing - 1P	19-110
1102 1516	Connector - 3P	23-108
1102 1524	Connector - 2P(REDF)	19-111
1102 1620	Connector - 3P	21-107
1102 1620	Connector - 3P	25-103
1102 1623	Receptacle Housing - 7P	21-108
1102 1623	Receptacle Housing - 7P	25-104
1102 1786	Connector - 3P	19-112
1102 1786	Connector - 3P	21-109
1102 1786	Connector - 3P	25-105

